

90 Degree Glass-to-Glass Clamp

Glass Thickness: 5/16" (8 mm) to 1/2" (12 mm) glass

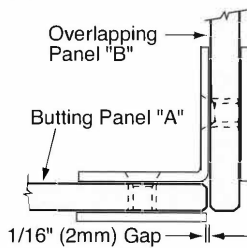
CALIFORNIA PROPOSITION 65 WARNING: This product can expose you to chemicals including Lead which is known to the State of California to cause cancer and birth defects or other reproductive harm. For more information go to www.P65warnings.ca.gov.

PARTS INCLUDED:

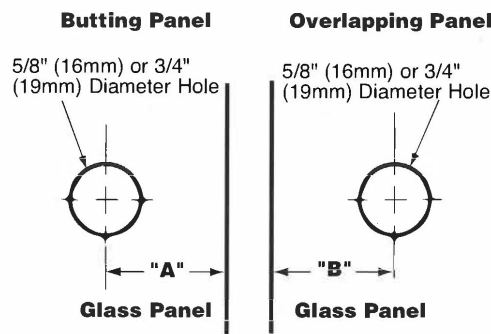
- 1 pc Mounting clip
- 1 pc Hexagonal wrench
- 6 pc Gasket- 1mm thick. For 9-12mm thick glass insert one on either side of the glass.
For 8mm glass insert 2 on one side, on one the other side of the glass.
- 2 pc Decorative screw cover

TYPICAL INSTALLATION

Important:
Project measurements from the edge of the glass.



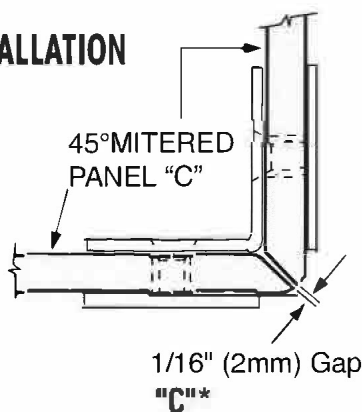
TEMPLATE OPTION FOR SQUARE CUT GLASS



Glass Thickness	"A" Measurement	"B" Measurement
5/16" (8mm)	7/8" (22.5mm)	1-1/4" (32mm)
3/8" (10mm)	7/8" (22.5mm)	1-5/16" (34mm)
1/2" (12mm)	7/8" (22.5mm)	1-7/16" (37mm)

TYPICAL INSTALLATION

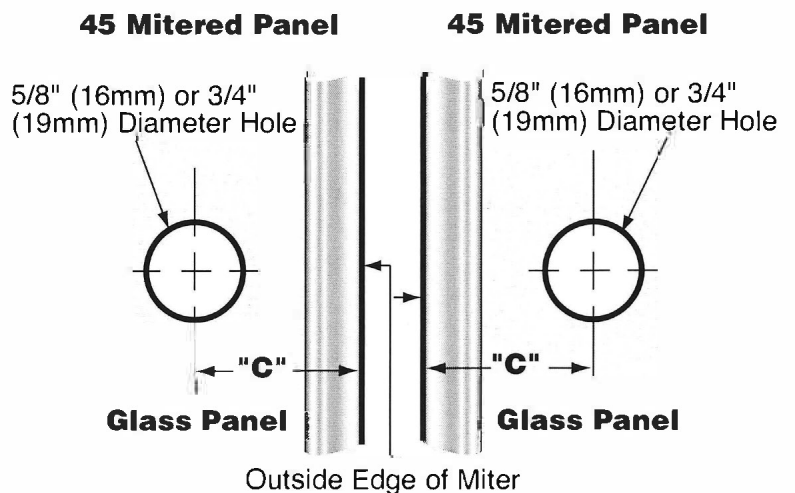
Important:
Project measurements from the outside of the mitered glass.



Glass Thickness	Measurement
5/16" (8mm)	1-3/16" (30mm)
3/8" (10mm)	1-1/4" (32mm)
1/2" (12mm)	1-3/8" (35mm)

*From outside edge of miter

TEMPLATE OPTION FOR 45° MITERED GLASS



PRODUCT SPECIFICATIONS

*Maximum Door Capacities	5/16" (8mm)		3/8" (10mm)		1/2" (12mm)	
	Glass Weight	Door Width	Glass Weight	Door Width	Glass Weight	Door Width
Using 2 Hinges	99 lbs.(45 kgs)	28" (711mm)	99 lbs.(45 kgs)	28" (711mm)	99 lbs.(45 kgs)	28" (711mm)
Using 3 Hinges	147 lbs.(67 kgs)	32"(813mm)	147 lbs.(67 kgs)	32"(813mm)	147 lbs.(67 kgs)	32"(813mm)

SPECIFICATIONS

1. Max capacity: 99 lbs/ 45 kgs (in pairs)
2. Glass Material: Tempered safety glass
3. Glass Thickness: 5/16" (8 mm) to 1/2" (12 mm) glass

CLEANING and MAINTENANCE INSTRUCTIONS

1. We do not recommend the use of chemical cleansers, abrasives or furniture polish on our lacquered finish.
2. Hardware may loosen over time. Periodically check to make sure all connections are tight. Retighten if necessary
3. Do not use spray lubricant on these hinges

Thank you for your purchase
Customer Service: 888 401-1900
www.rejuvenation.com