

Carnes accent lamp

IMPORTANT SAFETY INSTRUCTIONS:

- These instructions are provided for your safety. It is very important that they are read carefully and completely before beginning the assembly and installation of this lighting fixture.
- This portable luminaire has a polarized plug (one blade is wider than the other) as a safety feature to reduce the risk of electric shock. This plug will fit in a polarized outlet only one way. If the plug does not fit fully in the outlet, reverse the plug. If it still does not fit, contact a qualified electrician. Never use with an extension cord unless plug can be fully inserted. Do not alter the plug. Do not attempt to defeat this safety feature.
- This fixture has been rated for up to one (1) 60-watt maximum TYPE A standard incandescent light bulbs (not included) or one **(1) 9-watt LED bulbs (included)** or (1) 13-watt compact fluorescent light bulbs (not included). To avoid the risk of fire, do not exceed the recommended lamp wattage.
- Light bulb should be centred inside the table shade. Making sure it does not touch the shade sides.
- Use with approved REJUVENATION Shades only, having a minimum opening diameter of 3-1/2 inches and a minimum lamp-to-shade spacing of 2-1/2 inches.
- The lighting fixture is meant for indoor use.
- **This device complies with Part 15 of the FCC Rules. Operation is subject to the following two conditions: (1) This device may not cause harmful interference, and (2) This device must accept any interference received, including interference that may cause undesired operation. IC COMPLIANCE: CAN ICES-005(B)/NMB-005(B)**
- **Please save these instructions.**

WARNING:

- **To reduce the risk of fire, electrical shock or personal injury, always turn off and unplug the light fixture and allow it to cool prior to replacing the light bulb.**
- **Do not touch bulb when fixture is turned on; Do not look directly at a lit bulb.**
- **Keep flammable materials away from lit bulb.**

PRE-ASSEMBLY:

- Remove all parts and hardware from box along with any plastic protective packaging.
- Do not discard any contents until after assembly is complete to avoid accidentally discarding small parts or hardware.

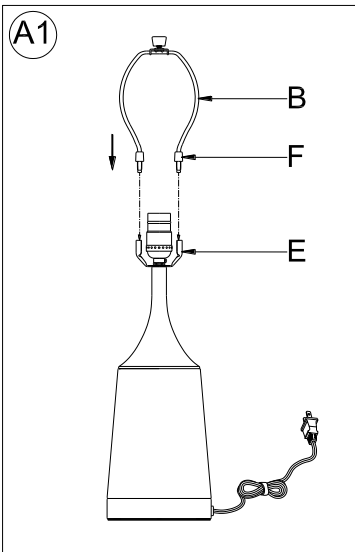
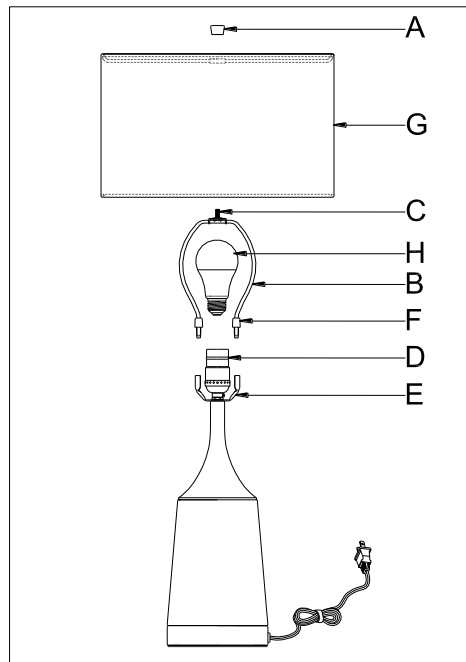
ASSEMBLY & INSTALLATION

Parts Included:

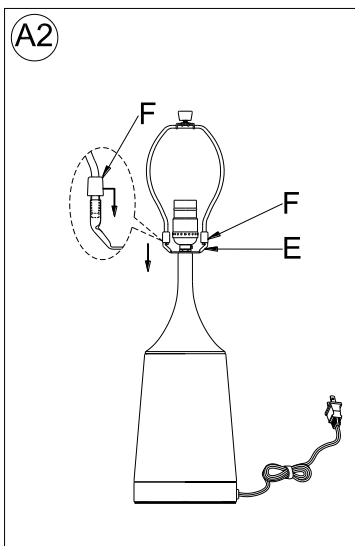
- (A) Finial (1)
- (B) Harp (1)
- (C) Harp Top (1)
- (D) Socket (1)
- (E) Saddle (1)
- (F) Harp Caps (2)
- (H) Bulb

Part Not Included:

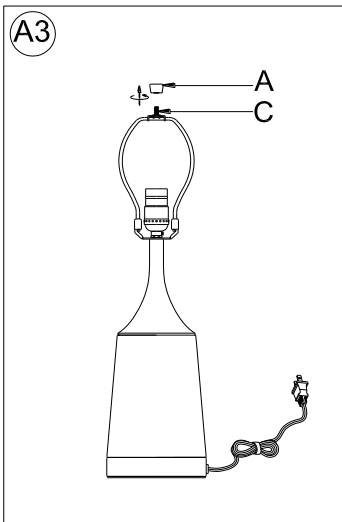
- (G) Shade (1)



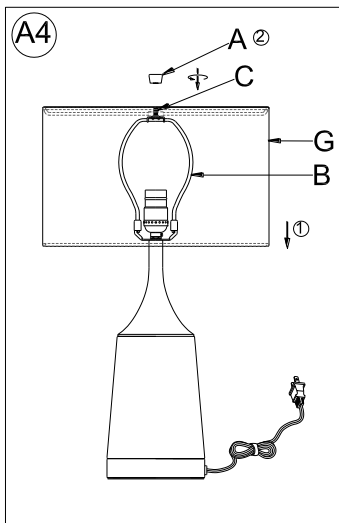
Raise the Harp Caps (F) and insert the bottom ends of Harp (B) into the Saddle (E).



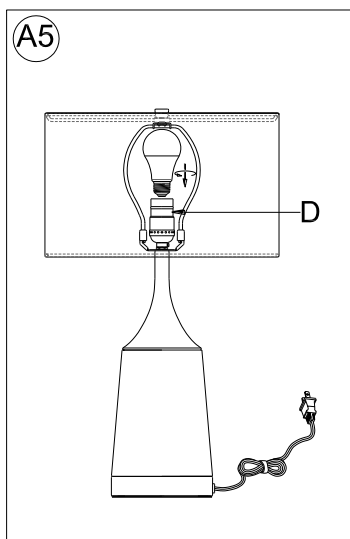
Lower the Harp Caps (F) until they cover the two-pronged Saddle (E).



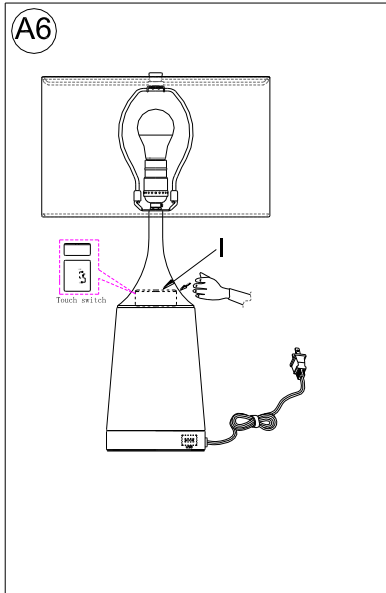
Unscrew the Finial (A) from the Harp Top (C).



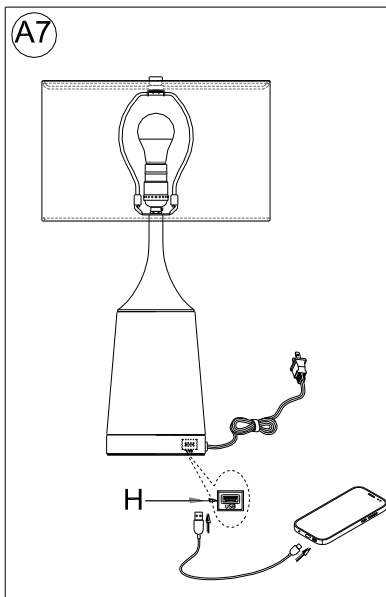
1. Place the Shade (G) over the Harp (B) making sure the Harp Top (C) extends through the top ring of Shade (G).
2. Secure the Shade (G) by turning the Finial (A) onto the Harp Top (C).



Insert the specified light bulb into the Socket (D).
DO NOT EXCEED THE SPECIFIED WATTAGE.



This lamp features a touch dimmer, please touch the metal parts to light up the lamp.



Plug the power cord into the proper electrical outlet and the test fixture.

Note: There is a USB port on the fixture base, which can be used for charging USB devices (USB charging cable in not included.) The output maximum is 5V/2A. Do not overcharging

CARE INSTRUCTIONS:

- Wipe clean with a soft, dry cloth or static duster.
- Always avoid the use of harsh chemicals or abrasive cleaners as they may cause damage to the fixture's finish.

Thank you for your purchase

2550 NW Nicolai Street, Portland Oregon 97210 • Customer Service: 888 401-1900 • www.rejuvenation.com