

DOORBELL BUTTON PATTERSON

CALIFORNIA PROPOSITION 65 WARNING: This product can expose you to chemicals including Lead which is known to the State of California to cause cancer and birth defects or other reproductive harm. For more information go to www.P65warnings.ca.gov.

PARTS INCLUDED

1pcs doorbell button

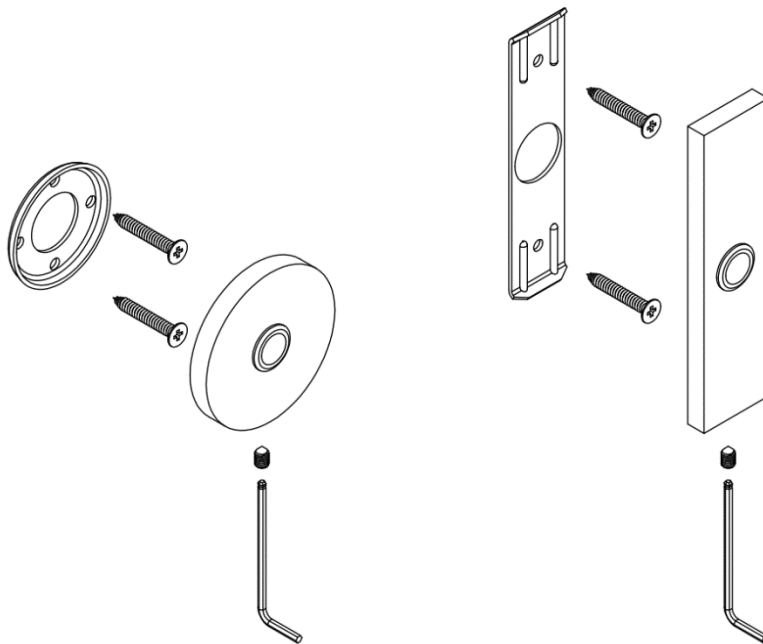
- 1pc Mounting bracket
- 2pcs $\phi 4 \times 19$ mm mounting screws
- 1pc M5*8mm set screws
- 1pc Allen key

MOUNTING INSTRUCTIONS FOR TYPICAL WOOD SIDING APPLICATIONS

Note: Consult your local hardware store for proper mounting to other wall materials.

Tools Required: Phillips screwdriver, Pencil.

1. Bore $3/4$ " hole centered where doorbell button will be located.
2. Position backplate and use it as a template for locating mounting screw holes.
3. Using the two supplied screws to secure mounting bracket to wall or door frame
4. Make wiring connections to terminals on back of button.
5. Slide the product over bracket and secure it with the set screw using the supplied Allen Key.



CLEANING INSTRUCTIONS

1. Dust often using a clean, soft, dry and lint-free cloth.
2. Blot spills and wipe with a clean, damp cloth immediately.
3. We do not recommend the use of chemical cleansers, abrasives or furniture polish on our lacquered finish.
4. Hardware may loosen over time. Periodically check to make sure all connections are tight. Re-tighten if necessary