

# Carson Shepherd Hook Wall Mount

skill level

● basic electrician

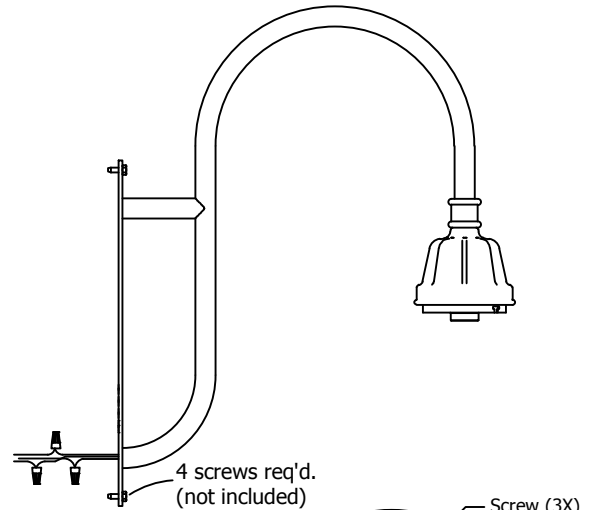
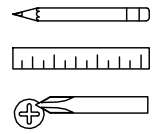
## installation instructions

### WALL MOUNT FIXTURE:

1. Holding the fixture close to the electrical box, connect the fixture wires to the supply wires. Make connections as appropriate for your supply wiring.
2. This fixture is suitable for indoor or outdoor use. For wet locations, apply silicone sealant to the wall around the perimeter of the electrical box where the mounting plate meets it. See "Important Information" on reverse side.
3. Attach the fixture to the wall using fasteners appropriate for the wall construction materials.

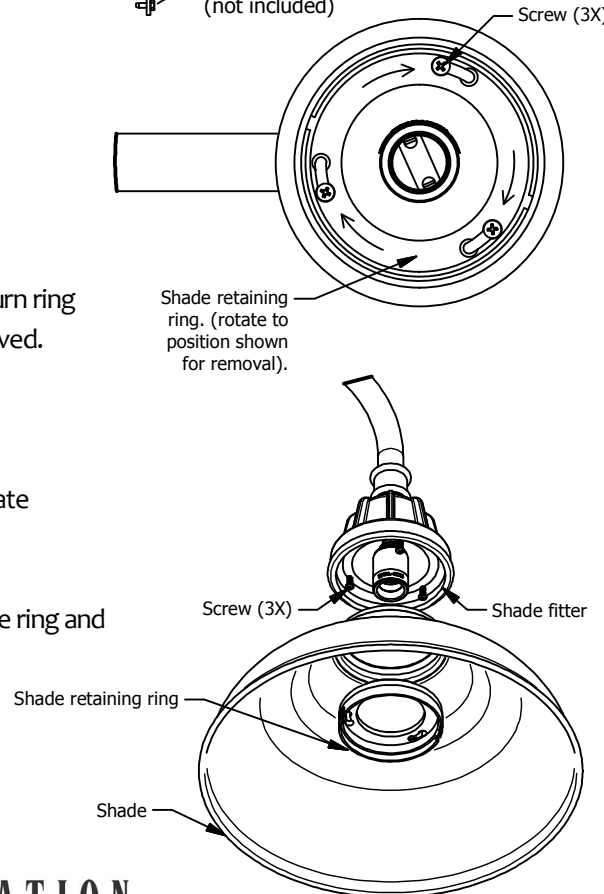
FIXTURE MUST BE GROUNDED IN ACCORDANCE WITH LOCALLY RECOGNIZED ELECTRICAL CODES. FAILURE TO COMPLY MAY RESULT IN PERSONAL INJURY OR DEATH.

### toolbox



### Shade Installation

4. Loosen three screws that secure the shade retaining ring and turn ring clockwise until it can be slipped over the screw heads and removed.
5. Position shade onto the underside of the shade fitter.
6. Place the retaining ring into the underside of the shade and locate slotted holes over the three screws.
7. Rotate ring counter-clockwise until the screw heads capture the ring and secure by tightening the three screws.



## REJUVENATION