

DHandle Ext. Entry Set

skill level

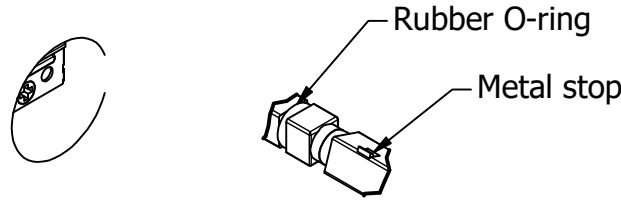
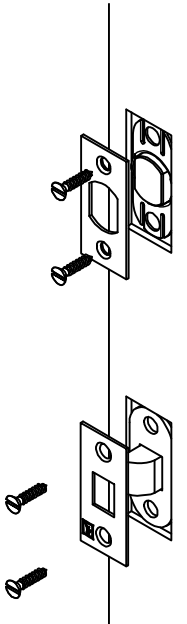
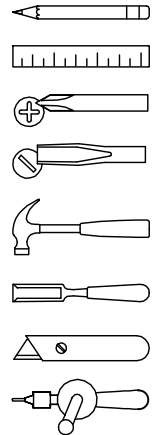
● skill level

installation instructions

Step 1-Installing the latches and spindle

Install latches as shown in Fig.1. The spindle comes with a rubber O-ring. Remove rubber O-ring from groove and set aside. Slide O-ring groove end of spindle through tubelatch until spindle is stopped by metal stop. Note: make sure spindle is in square orientation and set screw groove is facing towards door hinge. When spindle is in position re-install rubber O-ring on to spindle Detail A.

toolbox



DETAIL A

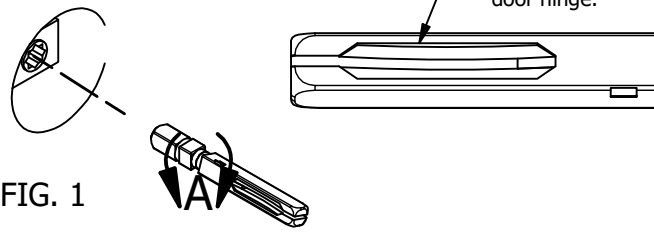
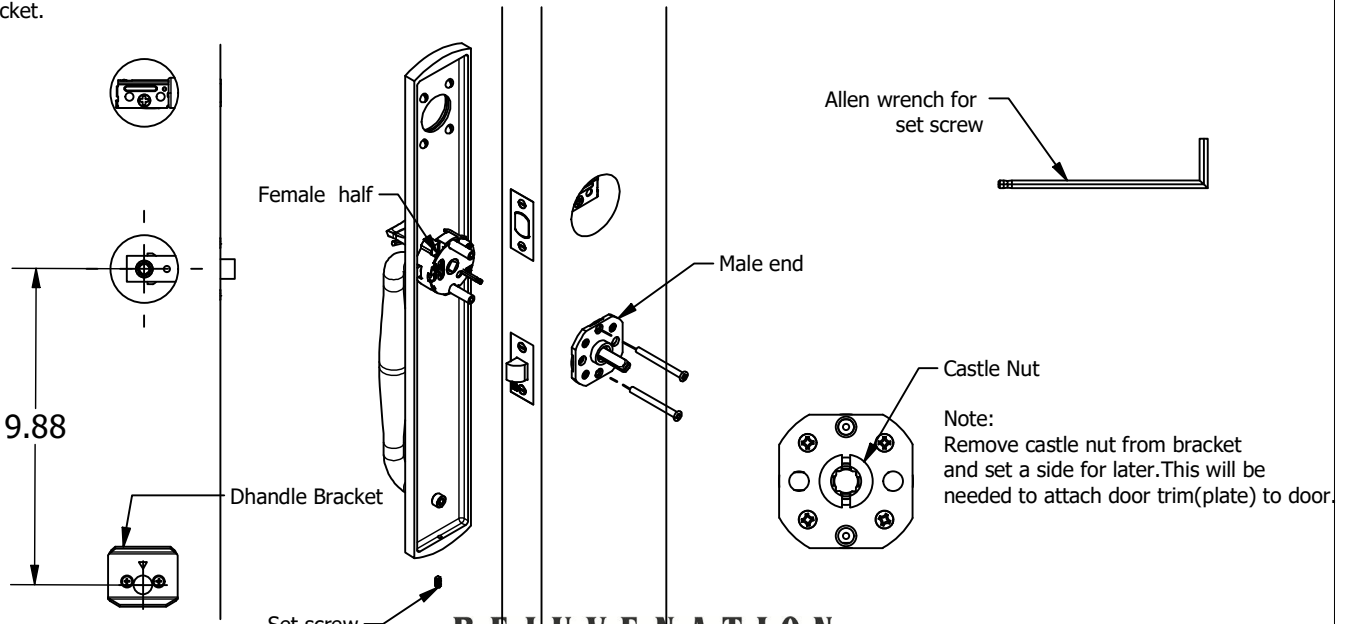


FIG. 1

Step 2-Installing the brackets

The dhandle bracket is designed to provide added securement for the Dhandle plate. This should be installed roughly 9 7/8th inches (9.88) straight down from center of bottom door bore. Fig 2.

The door handle bracket is designed to allow the knob/lever to turn in one direction only. There is a male and female half. The female half comes pre-attached to Dhandle trim and the male half should be installed on interior side of door. Make sure arrow on handle bracket is pointing up. Secure handle bracket with provided fasteners then use provided set screw and allen wrench to secure dhandle plate to dhandle bracket.



REJUVENATION

DHandle Ext. Entry Set

skill level

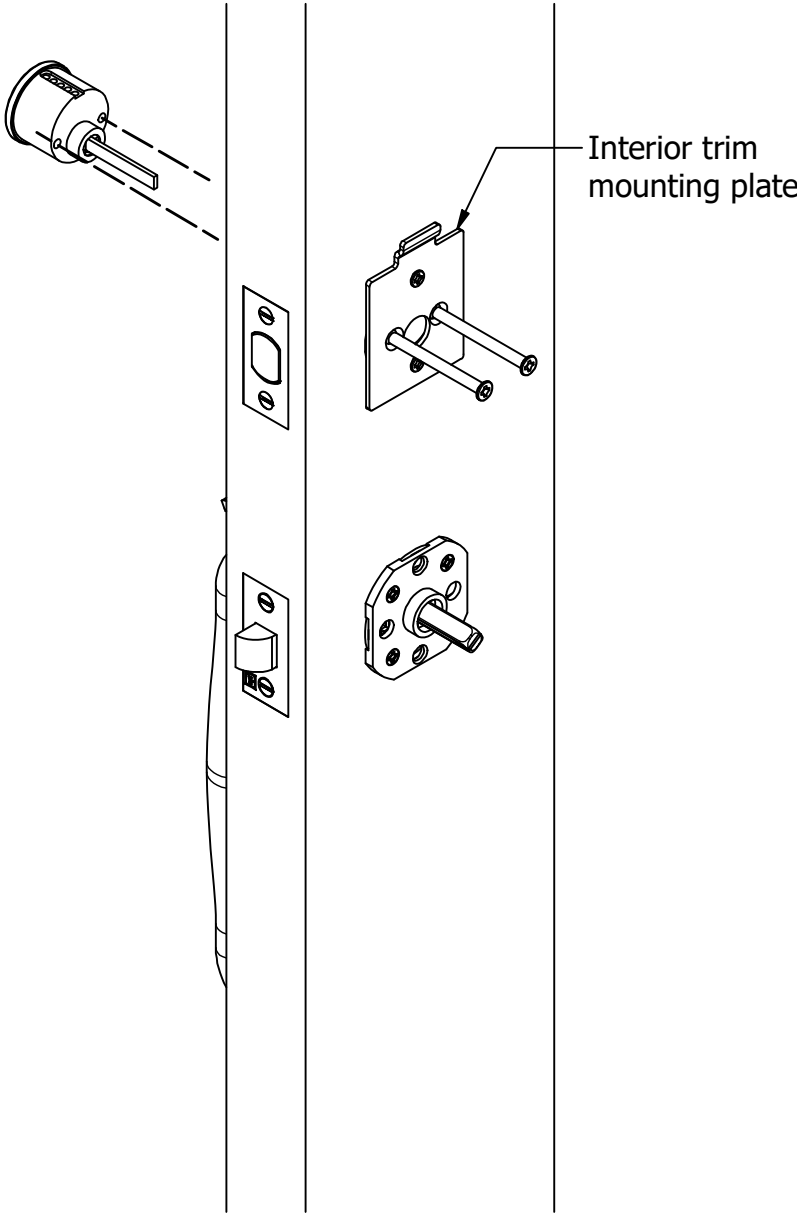
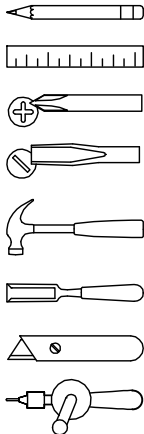
● skill level

installation instructions

Step 3-Instal exterior trim

Secure the cylinder and plate using the provided fasteners and interior trim mounting plate (note: fasteners should be snug, but not overly tight). Make sure the tail piece of the cylinder is in the vertical position.

● toolbox



DHandle Ext. Entry Set

skill level

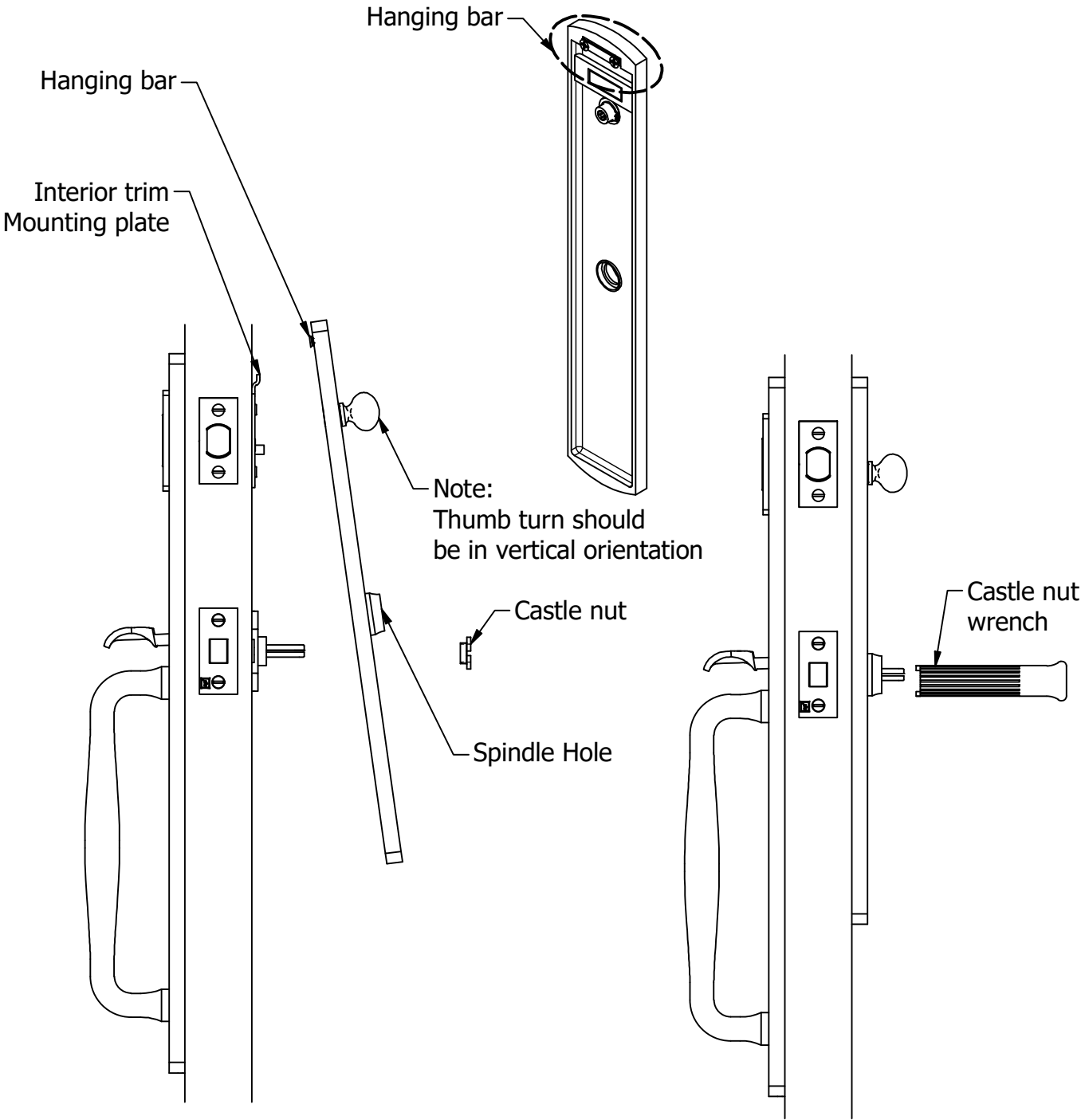
● skill level

installation instructions

● toolbox

Step 4-Installing the interior plate.

Install plate as shown. With the interior tilted out slightly, position it over the trim mounting bracket and gently slide down, hanging bar should catch mounting bracket. Align the spindle hole over the spindle. secure with supplied castle nut and wrench.



DHandle Ext. Entry Set

skill level

● skill level

installation instructions

● toolbox

Step 5- Installing handle(s)

Install the door knob or lever by matching the spindle orientation with square orientation on the handle. Secure handle by tightening the set screw. Align handle on spindle so that set screws seat in groove in spindle. Note: the handle should fit closely to the collar on the doorplate but with a small amount of play so that the handle does not bind when turned.

