

Globe Pendant

(Page 1 of 2)

skill level

● basic electrician

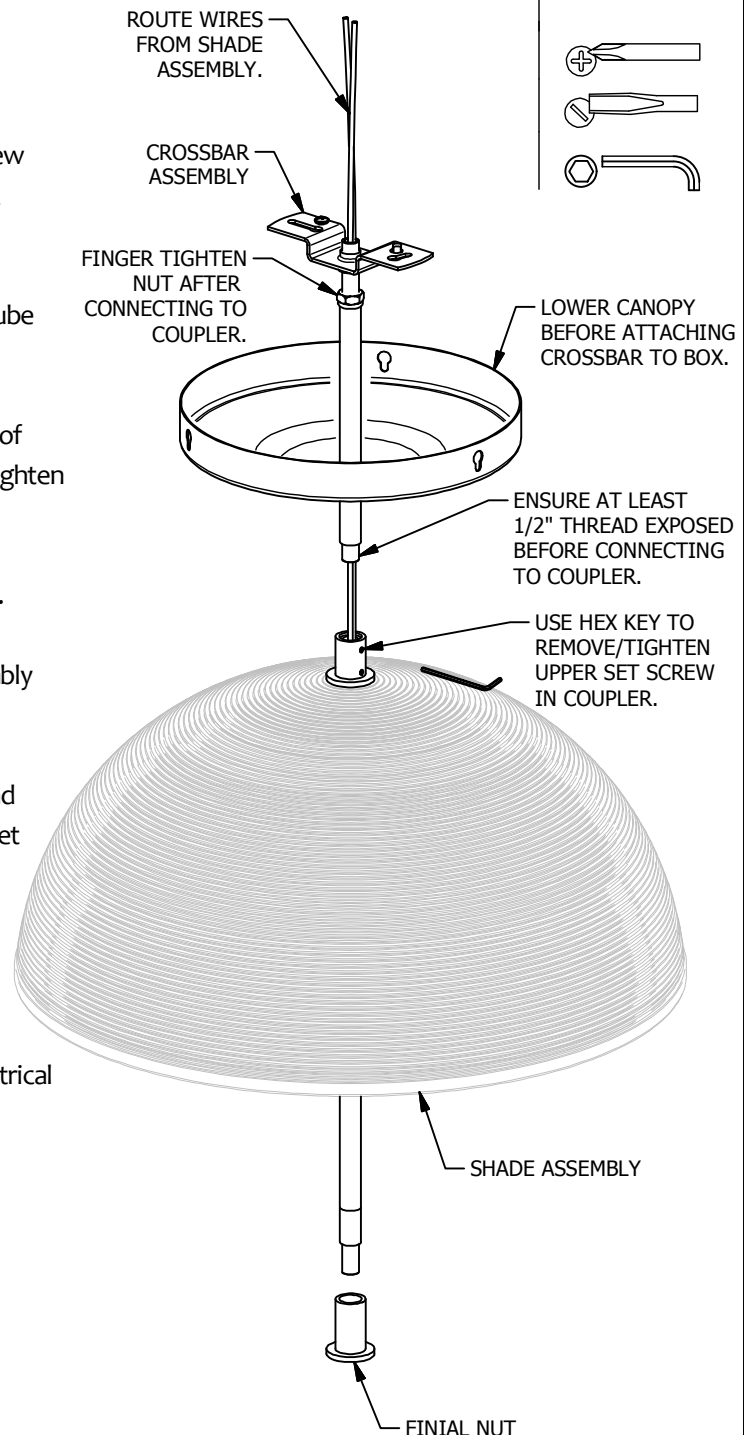
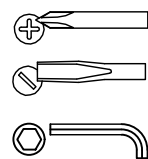
installation instructions

For a safe installation, make sure the electrical junction box is securely mounted to a structural member.

Shade is HEAVY! 2 people required!

1. Using hex key supplied, fully remove the upper set screw from coupler on shade assembly. Set screw aside, do not discard.
2. Ensure there is at least 1/2" exposed thread on down tube from crossbar assembly.
3. Route wires from shade assembly through down tube of crossbar assembly and thread down tube into coupler. Tighten until down tube is fully bottomed in coupler.
4. Re-install set screw removed in step 1 and fully tighten.
5. Tighten cover tube over down tube on crossbar assembly using nut above canopy. Finger tight only.
6. Loosen set screw on canopy using hex key supplied and slide it down to the socket body. Remove finial nut and set aside.
7. Attach crossbar to electrical junction box using screws supplied with the box.
8. Make wiring connections in accordance with local electrical code.
See "Important Information" on reverse side.

● toolbox



REJUVENATION

Globe Pendant

(Page 2 of 2)

skill level

• basic electrician

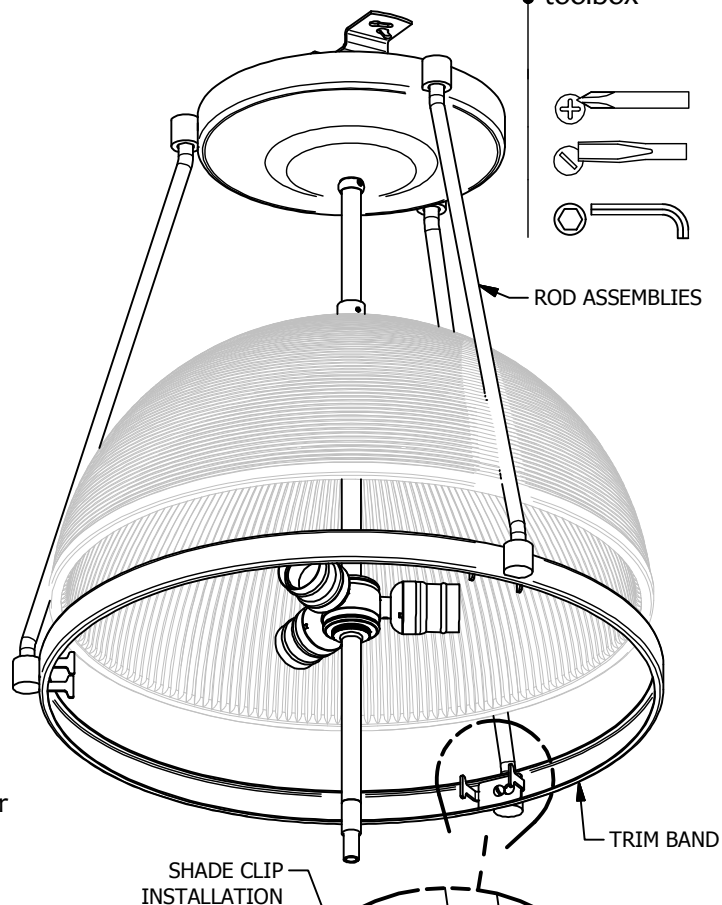
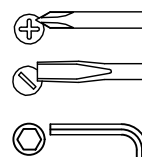
installation instructions

For a safe installation, make sure the electrical junction box is securely mounted to a structural member.

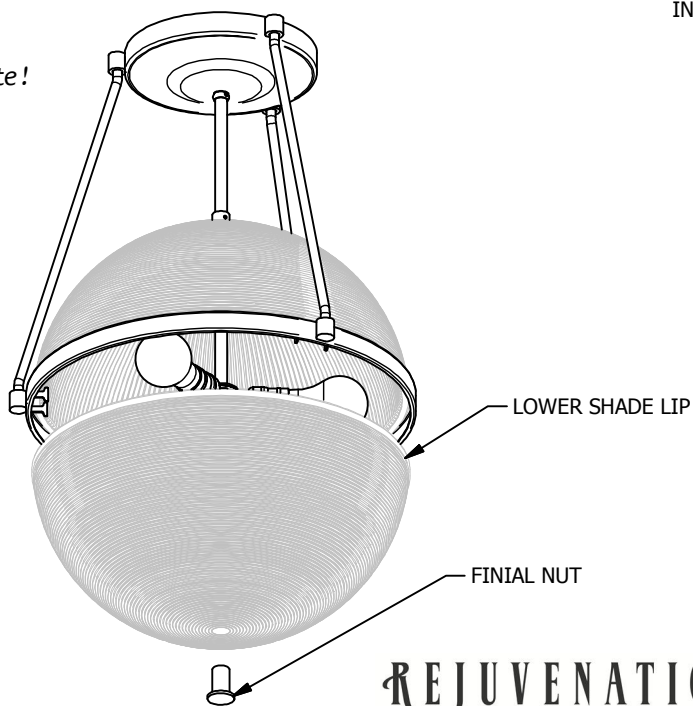
Shade is HEAVY! 2 people required!

9. Hang rod assemblies in canopy and tighten screws just snug. Do not overtighten!
10. Hang shade trim band on rod assembly screws.
11. Install shade clips on inner face of trim band and secure in place by tightening rod assembly screws.
12. Raise canopy until it is tight against ceiling and secure with set screw using hex key supplied.
13. Install light bulbs. Clear bulbs recommended, 60 watt max.
14. Replace and tighten finial nut while the other person holds lower shade in place. Tighten finial nut until the lower shade lip is nested into the trim band far enough to sit level.

• toolbox



Complete!



REJUVENATION