



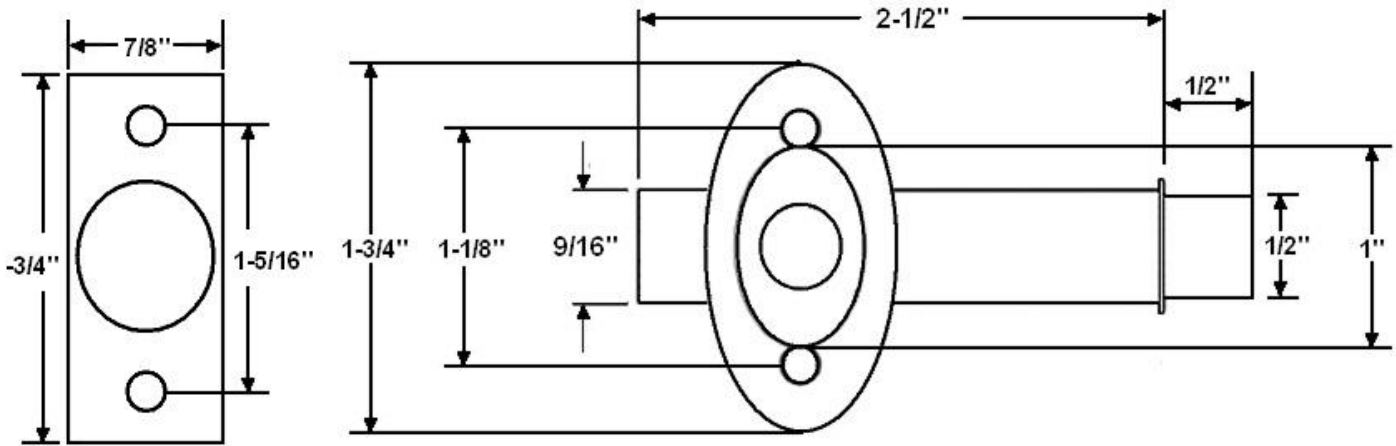
"The Special Finishes Specialist" ©

by St. Simons, Inc.

idhbrass.com

Quality Solid Brass Decorative Hardware & Bath Accessories

### Installation Instructions Premium Grade Solid Brass Mortise Door Bolt Item# 28500



**Dimensions:**

- Body Length: 2-1/2"
- Diameter: 9/16"
- Projection: 7/8"
- Backset: 1-3/4"
- Throw: 1/2"
- Weight: 3-1/2 oz
- Strike: 1-3/4" x 7/8"
- Screw: #6 x 3/4"

*Dimensions are for reference use only.*

*For exact dimensions, please measure actual part.*

**Installation Instructions:**

1. Mark center of door edge at desired height.  
Drill 5/8" hole for bolt.
2. Mark hole for spindle and drill 5/16" hole.  
Be sure not to drill through the other side of door.  
Cut spindle to appropriate length if needed.
3. Drill pilot holes. Insert spindle and secure escutcheon with provided fasteners.
4. Mark and trace strike onto door frame.  
Drill 5/8" hole for bolt.
5. Mortise shallow recess for strike plate.  
Drill pilot holes and secure strike plate.



**Catalog Section: H**

**Mortise Door Bolt**

**Item# 28500**

Date: Rev 05/18